

# **Wheeler-Rex**

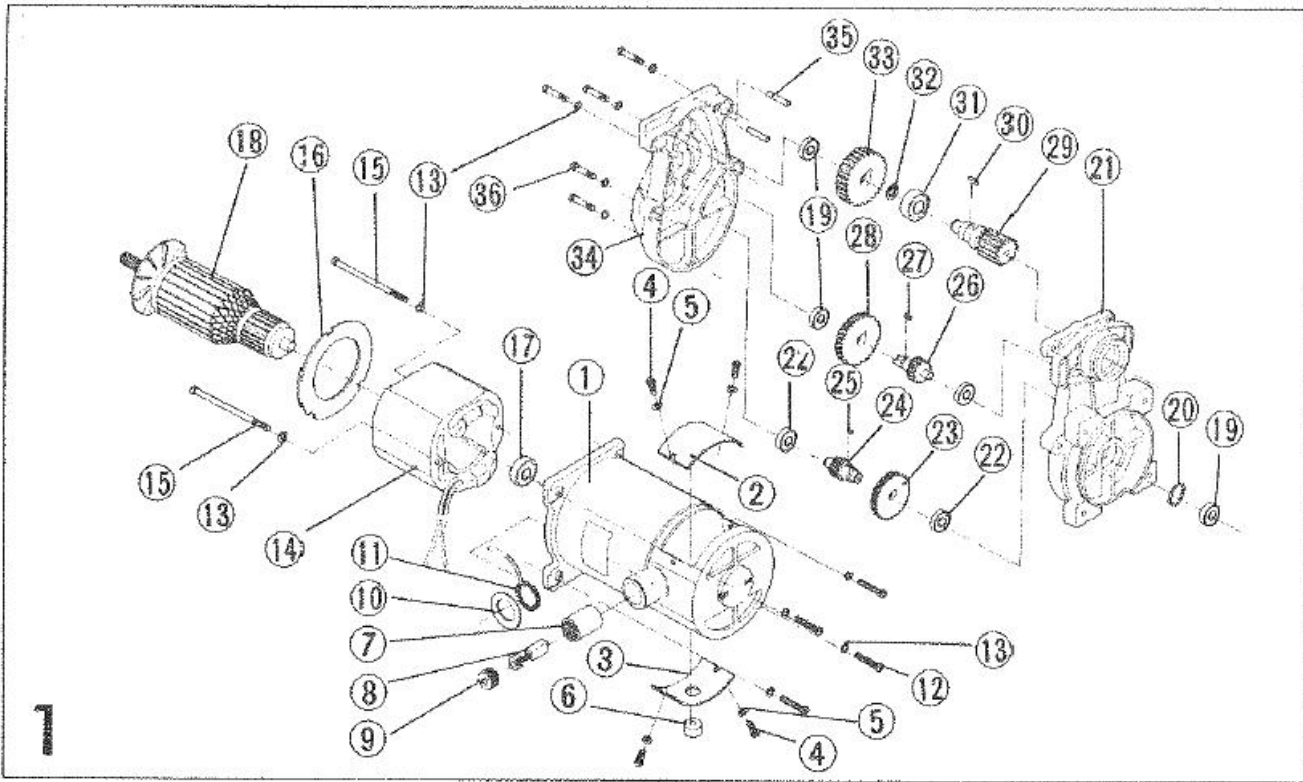
## **6890**

N40A Parts List



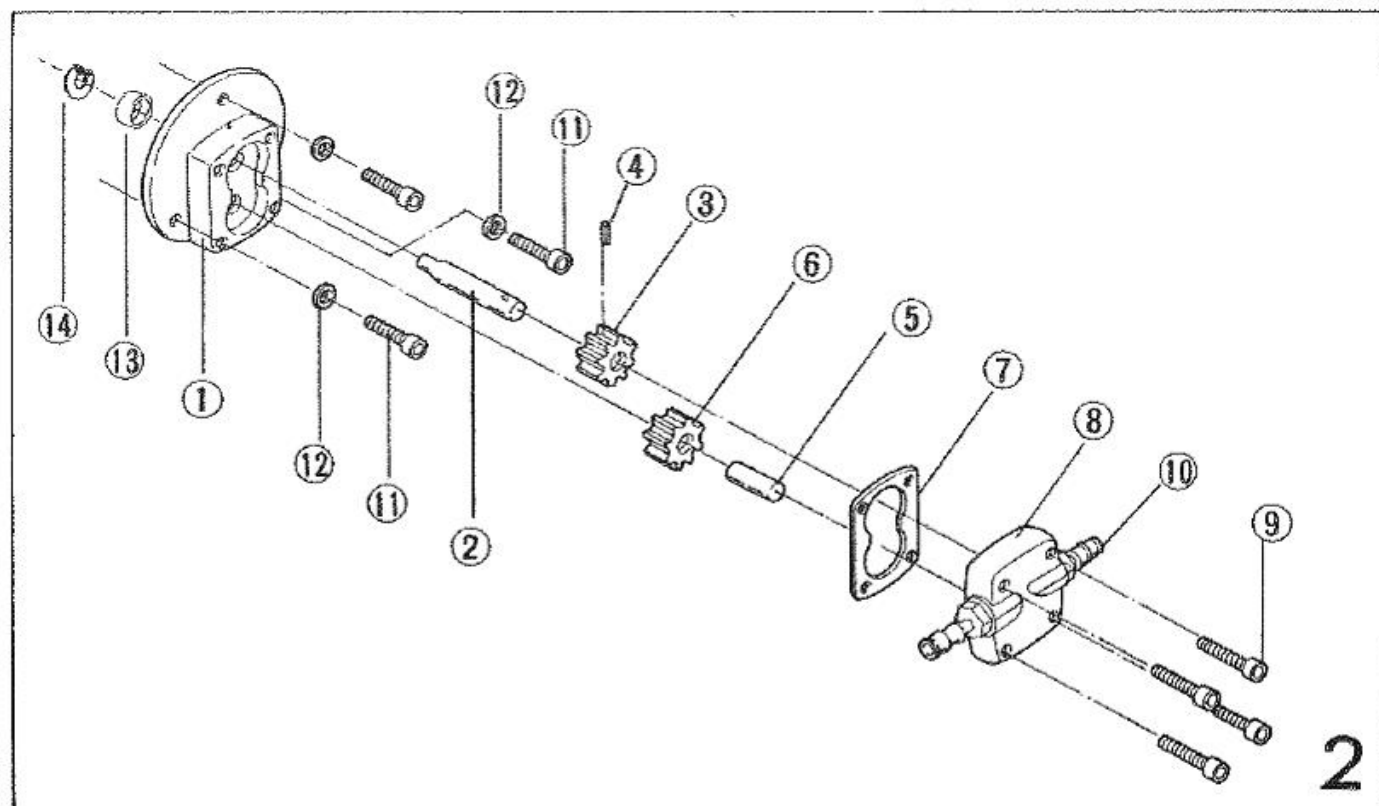
**Wheeler-Rex \* Ashtabula, OH**  
**T: 800-321-7950 \* F: 440-992-2925**  
**wheeler@wheelerrex.com \* www.wheelerrex.com**

# WHEELER/REX N40A (Motor)



No.	Part No. (Wheeler)	Part Name	Set	Part No. (REX)
1	601500	Housing	1	
2	601501	Cover (1)	1	
3	601503	Cover (2)	1	
4	600184	Round head machine screw (M4×8)	4	
5	600138	Washer (ø4)	4	
6	601504	Rubber bush	1	
7	601505	Carbon brush holder	2	
8	60309	Carbon brush (auto-stop)	1 set	
9	600108	Carbon brush cap	2	
10	601506	Stop plate	2	
11	601507	Internal wize assembly	2	
12	600330	Round head machine screw (M5×20)	4	
13	600124	Spring washer (ø5)	11	
14	601508	Stator assembly	1	
15	601509	Round head machine screw (M5×80)	2	
16	601510	Air vent	1	
17	601511	Bearing (#6282Z)	1	
18	601512	Armature assembly	1	
19	600115	Bearing (#6201ZZ)	3	6090
20	601513	Wave washer	1	
21	601514	Gear cover	1	
22	600119	Bearing (#6200ZZ)	3	6090
23	601515	First gear	1	
24	601516	Second pinyon	1	
25	601517	Key (4×4×11)	1	
26	601518	Third pinyon	1	
27	601519	Key (5×5×12)	1	
28	601520	Second gear	1	
29	601521	Spindle	1	
30	601522	Key (5×5×16)	1	
31	601523	Bearing (#6204ZZ)	1	
32	600664	Snap ring (out side ø20)	1	
33	601524	Final gear	1	
34	601525	Inner cover	1	
35	601526	Spring pin	2	
36	600649	Round head machine screw (M5×25)	5	
37				
38	600926	MOTOR ONLY		
39				
40				
41				
42				
43				

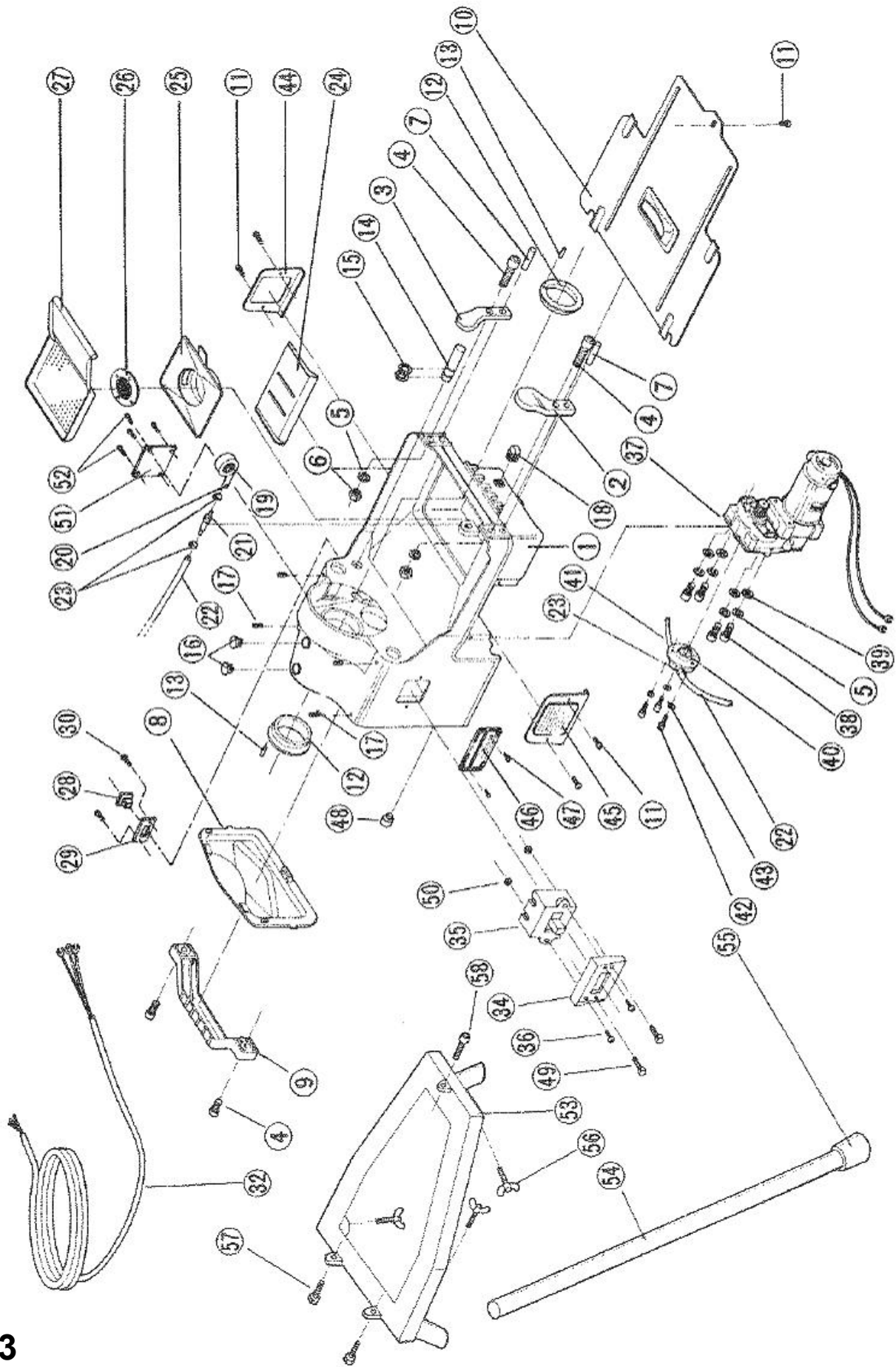
# WHEELER/REX N40A (Pump)



2

No.	Part No. (Wheeler)	Part Name	Set	Part No. (REX)
1	600712	Pump body	1	6090
2	600713	Shaft	1	6090
3	600714	Pump gear A	1	6090
4	600652	Roll pin ( $\varnothing 2.5 \times 6$ )	1	6090
5	600715	Pin	1	6090
6	600716	Pump gear B	1	6090
7	600717	Gasket	1	6090
8	600718	Rear cover	1	6090
9	600653	Socket head cap screw (M5 $\times$ 22)	4	6090
10	601035	Joint	2	1035 6090, 6390, 6590, 6790
11	600131	Socket head cap screw (M6 $\times$ 16)	3	6090, 6390, 6490
12	600132	Spring washer ( $\varnothing 6$ )	3	6090
13	601527	Oil seal (AC0158A)	1	6090
14	600465	Snap ring (in side $\varnothing 22$ )	1	6090
15				
16				
17				
18				
19				
20				
21				
22				
23				
24				
25				
26				
27				
28				
29				
30				
31				
32				
33				
34				
35				
36				
37				
38				
39				
40				

REX N40A Base

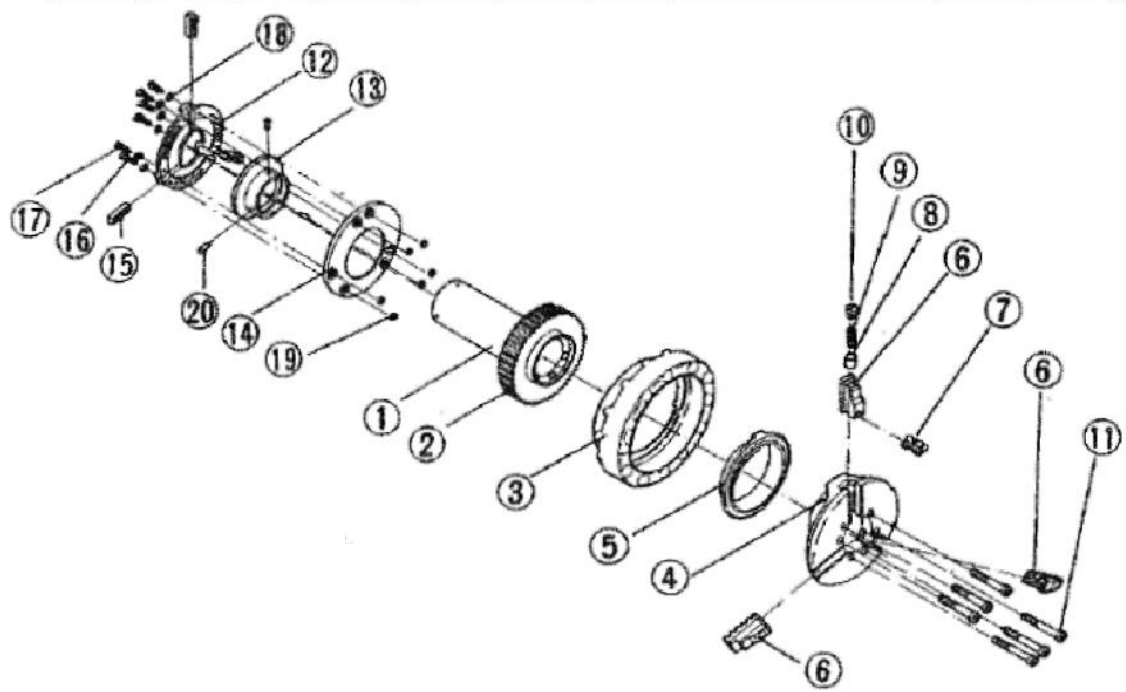


# REX N40A Base

No.	Part No. (Wheeler)	Part Name	Set	Part No. (REX)	
1	601528	Base casting assembly	1	G080	Set G004 Gear cover
2	601529	Support (Left)	1	G013	
3	601530	Support (Right)	1	G016	
4	600129	Socket head cap screw (M8×25)	4		
5	600130	Spring washer (ø8)	6		6090,6390,6490,6590
6	600328	Nut (M8)	2		
7	600256	Roll pin (ø6×20)	2		
8	601531	Rear cover	1	G035	
9	601532	Rear grip	1	G038	
10	601533	Bottom cover	1	G034	
11	600179	Round head machine screw (M5×10)	5		6090,6390,6490,6590
12	601534	Main shaft bearing	2	G005	
13	600127	Pin (ø4×10)	2		
14	601535	Oil tube cover	1	G045	
15	600654	Snap ring (out side ø16)	2		6090
16	600729	Oil cap	2	N039	6090
17	600144	Hex socket set screw (cone M8×14)	4		
18	600145	Drain plug (PT1/2)	1		6090,6390,6490,6590
19	600731	Strainer	1	N048	Set Tapping screw (M5×8) 6090,6790
20	601536	Oil intake line suction tube A (ø4)	1	G049	
21	600730	Nipple	1	T056	6090
22	601537	Oil intake line suction tube B (350ℓ)	1	G047	
23	600213	Pipe band (10mm)	4		6090,6390,6490,6590,6790
24	601538	Oil pan	1	G055	
25	601539	Tank upper cover	1	G030	
26	600735	Oil filter	1	N029	6090
27	601540	Scrap receiver	1	G031	
28	609206	Cord strain relief	1	9206	6090,6390,6490
29	600743	Relief plate	1		6090,6390,6490
30	600432	Round head machine screw (M5×6)	2		6090,6390,6490
31					
32	600139	Caplyre cord (3.5M)	1	1895	6090,6390,6490
33					
34	600930	Swich fixed plate	1	N725	6090
35	600737	Swich (For & Rev)	1	9205	6090
36	600151	Oval head machine screw (M4×15)	2		6090
37	601541	Motor w/ Gearbox	1	G073	
38	601542	Socket head cap screw (M8×35)	4		
39	600130	Washer (ø8)	4		
40	609040	Gear pump	1	9010	6090
41	601543	Oil feed line tube (ø20ℓ)	1	G046	
42	600131	Socket head cap screw (M6×16)	3		6090,6390,6490
43	600132	Spring washer (ø6)	3		6090
44	601544	Side cover	2	G036	
45	600739	Side cover level	1	N126	6090
46	601545	Name plate	1	G849	
47	600621	Rivet (#4×5)	2		6090
48	601546	Cap	1		
49	601547	Hexagon head screw (M5×6)	2		6090
50	600141	Nut (M4)	2		6090
51	603557	Warning plate A	1	9102	6090,6590,6790
52	600143	Rivet (#0×4.8)	4		6090
53	601549	Pipe stand base	1	G062	
54	600741	Pipe stand	3	N121	6090
55	603520	Leg cap	3	N125	6090,6790
56	600692	Wing screw (M10×35)	3		
57	600438	Hexagon head screw (M6×12)	2		
58	600604	Socket head cap screw (M6×12)	1		



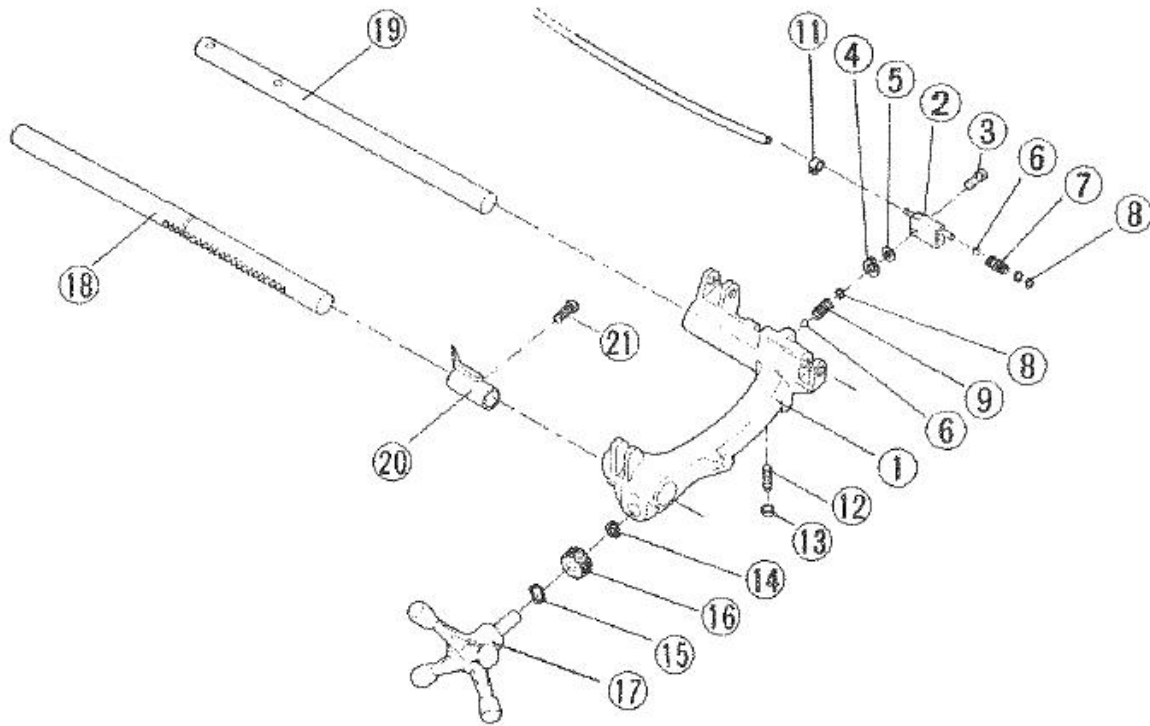
# REX N40A Main Shaft



4

No.	Part No. (Wholesaler)	Part Name	Set	Part No. (REX)	
1	601552	Main shaft	1	G002	601554 Set (G005)
2	601553	Main shaft gear	1	G003	
3	601555	Hand wheel	1	G007	
4	601556	Chuck body	1		600868 Chuck complete set (G009) 60323 6090
5	601557	Chuck scroll	1		
6	601558	Chuck jaw	3		
7		Chuck jaw insert	3		
8	601559	Spring retainer	3		
9	601560	Spring	3		
10	601561	Set screw	3		
11	600156	Socket head cap screw (M6x15)	6		601565 Rear chuck complete set (G008)
12	601562	Rear chuck receptacle <i>6/B</i>	1		
13	600953	Rear scroll	1		
14	601564	Rear chuck cover <i>7/C</i>	1		
15	600159	Rear chuck jaw <i>56/A</i>	3		
16	600162	Reamer screw <i>56/a</i> (M4x14)	2		
17	600160	Round head machine screw <i>56/a</i> (M4x14)	4		
18	600161	Spring washer <i>56/G</i> (24)	6		
19	600141	Nut <i>56/F</i> (M4)	6		
20	600163	Roll pin (2/6x12)	3		
21					
22					
23					
24					
25					
26					
27					
28					
29					
30					
31					
32					
33					
34					
35					
36					
37					
38					
39					
40					
41					

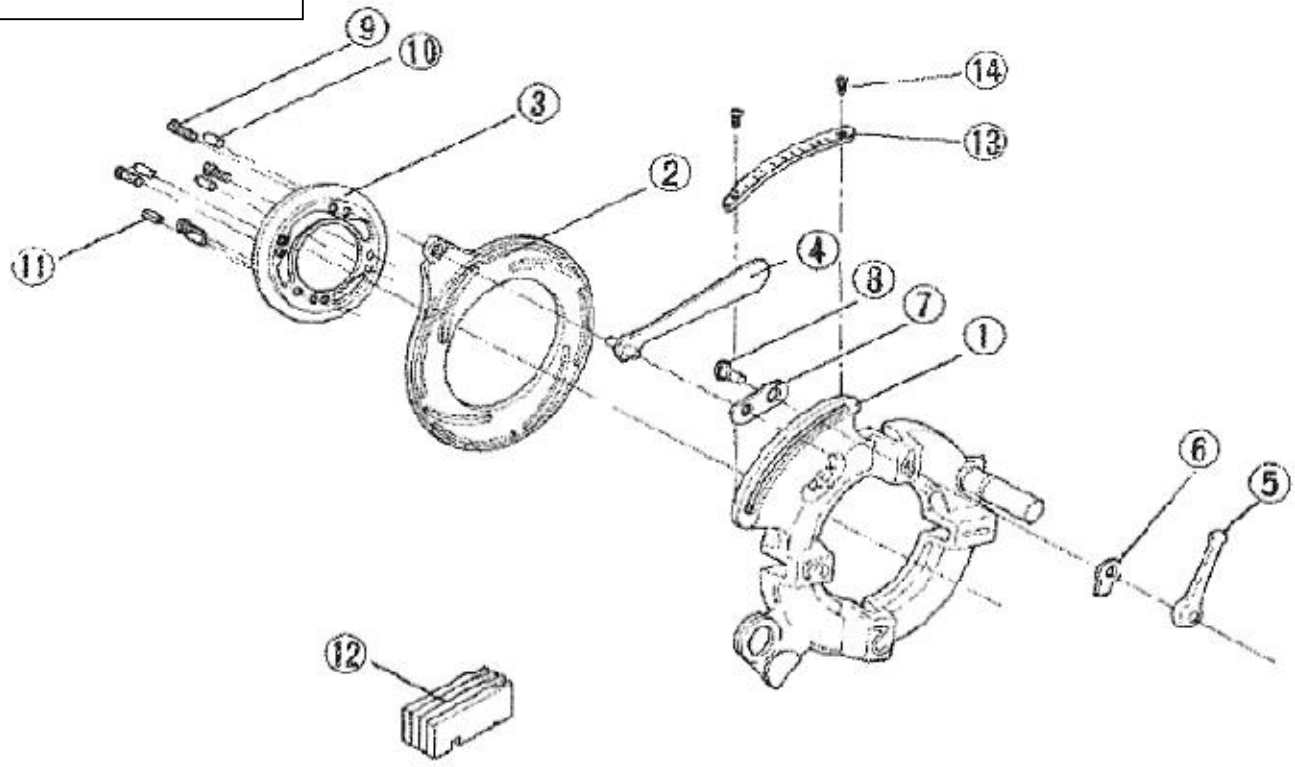
# REX N40A Carriage



5

No.	Part No. (Wheeler)	Part Name	Set	Part No. (REX)	
1	601563	Carriage	1	G806	Set N051 Oil cap
2	600954	Oil tube connector	1	G014	
3	600955	Oil flow selector lever	1	G033	
4	603675	Snap ring (out side $\varnothing 10$ )	1		
5	601566	O-ring (P7)	1		
6	600168	Steel ball ( $\varnothing 8$ )	2		6090
7	600402	Spring	1	T050	6090
8	600170	Push nut (M10)	3		6090
9	609058	Spring ( $\varnothing 8 \times 10$ )	1	5096	
10					
11	600770	Pipe band (12mm)	1		6090
12	600659	Hex-socket set screw (cone M6 $\times$ 15)	1		6090
13	600811	Nut (M6)	1		
14	601568	Snap ring (out side $\varnothing 10$ )	1		
15	600810	Wave washer ( $\varnothing 20$ )	1		6090, 6490, 6790
16	607515	Carriage feed gear	1	A515	6090, 6790
17	601569	Carriage handle	1	G014	Set G015 Feed gear shaft
18	601570	Carriage support bar A	1	G011	
19	601571	Carriage support bar B	1	G012	
20	601572	Security collar	1	G017	
21	600179	Round head machine screw (M5 $\times$ 10)	1		
22					
23					
24					
25					
26					
27					
28					
29					
30					
31					
32					
33					
34					
35					
36					
37					

**REX N40A Die Head**

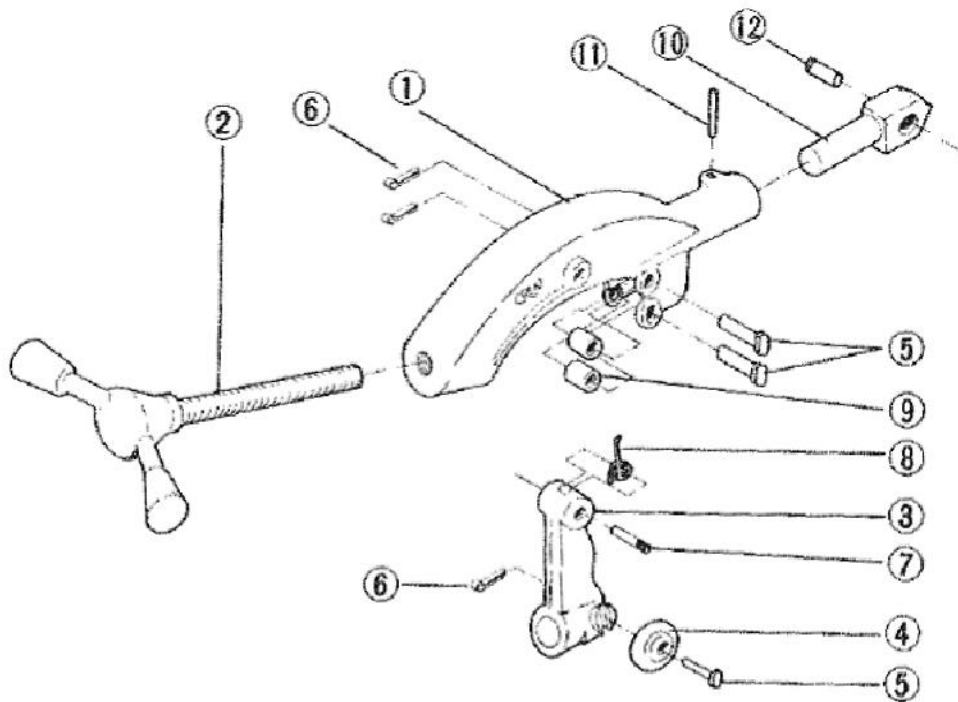


6

No.	Part No. (Wacofer)	Part Name	Set	Part No. (REX)	
1	601573	Universal die head body	1	G801	Set G821 Die head post
2	601574	Cam plate	1	G804	
3	601575	Universal retaining ring	1	G805	
4	602361	Eccentric handle	1	2361	
5	602377	Lever nut	1	2377	
6	602381	Eccentric washer	1	2381	
7	602371	Eccentric link	1	2371	
8	602386	Eccentric screw	1	2386	
9	600131	Socket head cap screw	(M6×16)	4	
10	601575	Dies notch	4	G865	6090, 6390, 6790
11	600665	Roll pin	(25×14)	1	
12	60201	Dies	(1/4 - 3/4)	1set	X041
	60202	Dies	(1 - 1 1/2)	1set	X042
13	600401	Size plate		1	9203
14	600668	Truss screw	(M4×5)	2	
15					
16					
17	60120	Complete die head			
18					
19					
20					
21					
22					
23					
24					
25					
26					
27					
28					
29					
30					
31					
32					
33					
34					
35					
36					
37					
38					



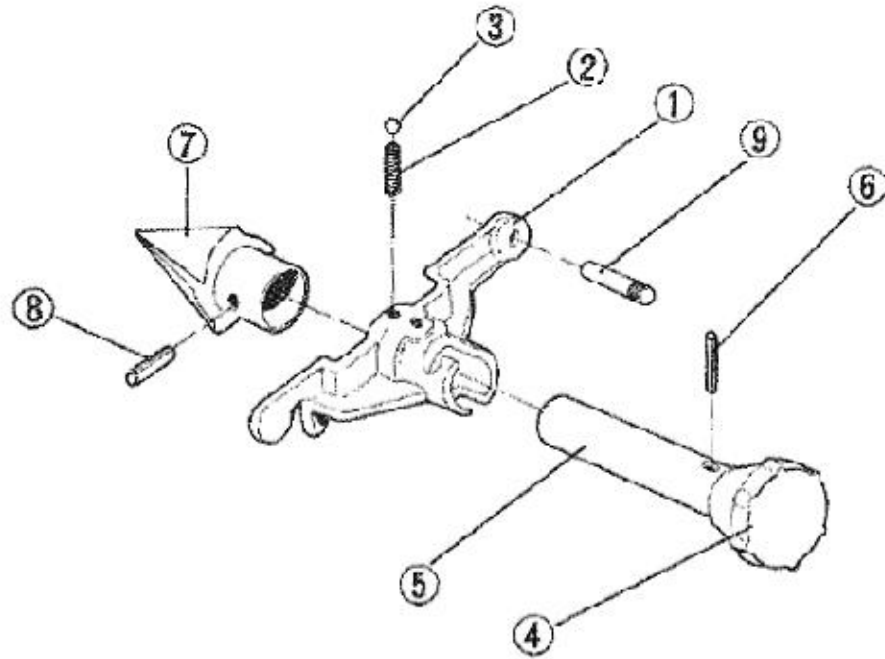
# REX N40A Cutter



7

No.	Part No. (Wheeler)	Part Name	Set	Part No. (REX)	
1	601577	Cutter frame	1	G020	
2	601578	Cutter handle	1	G021	Set G022 Food screw
3	601579	Cutter guide	1	G024	
4	60308	Cutter wheel	1	5076	
5	602471	Cutter pins	3	G039	
6	600171	Spring cutter	3		6090, 6490, 6590, 6790
7	601580	Cutter guide pin	1	G051	
8	609025	Spring	1	9025	
9	605073	Cutter roller	2	G029	
10	601581	Cutter arm	1	G023	
11	604072	Cutter frame stop pin	1	4072	6090
12	601076	Cutter arm stop pin	12	1076	6090, 6390
13					
14					
15	609869	Complete cutter			
16					
17					
18					
19					
20					
21					
22					
23					
24					
25					
26					
27					
28					
29					
30					
31					
32					
33					
34					
35					
36					
37					
38					
39					
40					

# REX N40A Reamer



8

No.	Part No. (Wholesaler)	Part Name	Set	Part No. (REX)	
1	601582	Reamer holder	1	G807	
2	600173	Spring	(28x30)	5096	
3	600168	Steel ball	(28)		6099, 6499, 6790
4	601583	Knob	1	G027	} Set
5	601584	Reamer shaft	1	G026	
6	600627	Roll pin	(28x35)		
7	609043	Reamer cone	1	9043	
8	600174	Roll pin	(26x45)		
9	601585	Reamer holder stop pin	1	G056	
10					
11					
12	600870	Complete reamer			
13					
14					
15					
16					
17					
18					
19					
20					
21					
22					
23					
24					
25					
26					
27					
28					
29					
30					
31					
32					
33					
34					
35					
36					
37					
38					